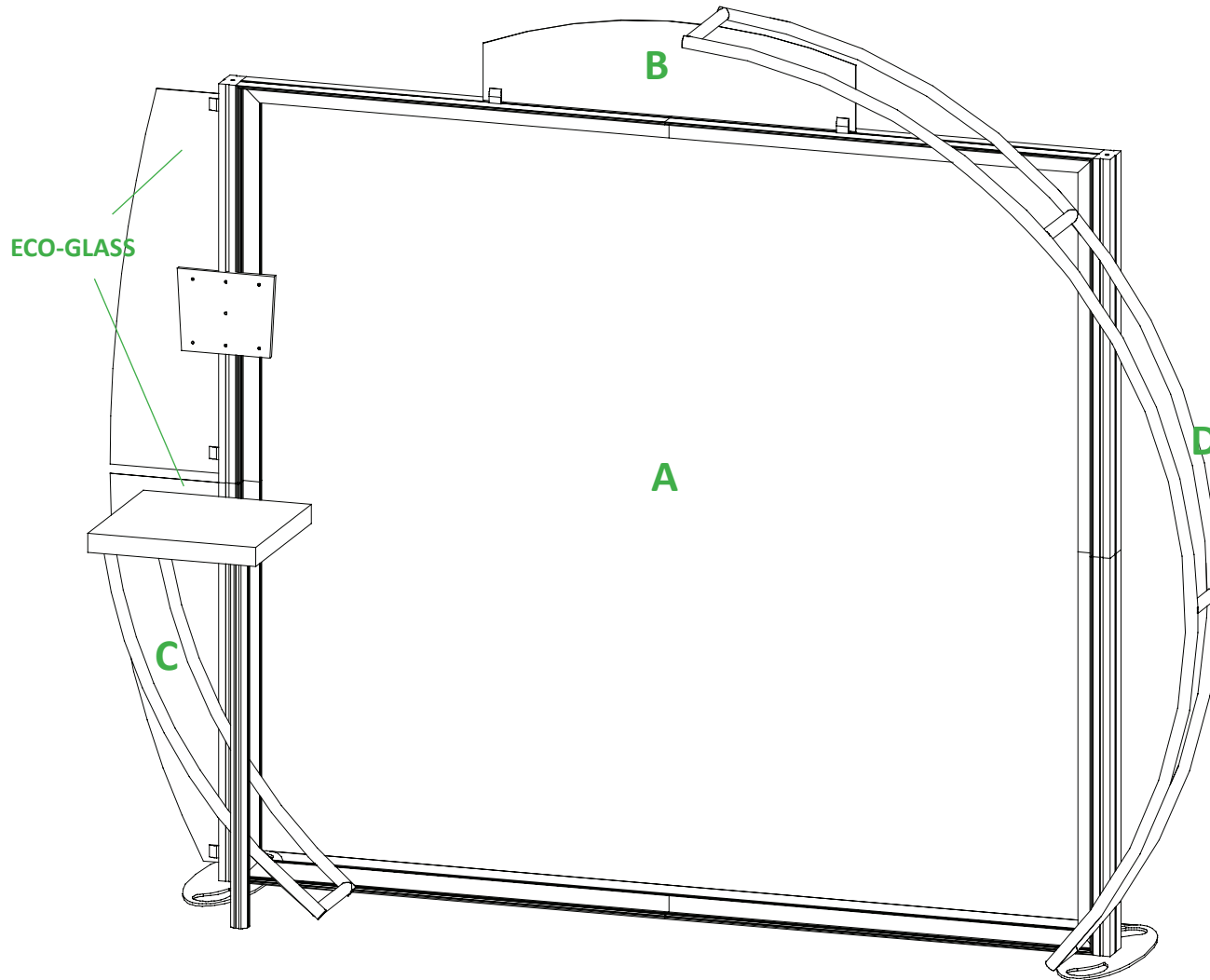


# ECO-1072

PLEASE USE PDF FOR REFERENCE ONLY.

Contact your distributor for final graphic templates per order.



## GRAPHIC SPECS

<b>GRAPHIC A</b>	QTY. 1
MATERIAL:	BACKLIT SEG FABRIC *
TREATMENT:	SILICONE EDGE GRAPHIC
APPROX. SIZE:	92.842"w x 83.842"h
<b>GRAPHIC B</b>	QTY. 1
MATERIAL:	1/8" ECO-BOARD
TREATMENT:	DIRECT PRINT GRAPHIC
APPROX. SIZE:	40.00"w x 9.92"h
<b>GRAPHIC C</b>	QTY. 1
MATERIAL:	TENSION FABRIC *
TREATMENT:	PILLOWCASE GRAPHIC
APPROX. SIZE:	10"/16"w taper x 46.458"h
<b>GRAPHIC D</b>	QTY. 1
MATERIAL:	TENSION FABRIC *
TREATMENT:	PILLOWCASE GRAPHIC
APPROX. SIZE:	6"/12"w taper x 130.036"h

\* Recycled fabric options available

## ACCENTS

<b>ACCENTS</b>	QTY. 2
MATERIAL:	ECO-GLASS
TREATMENT:	100% FROSTED
APPROX. SIZE:	10.47"w x 40.00"h

### Recycled Fabric Graphics

Made from 100% recycled soda bottles, Paradise Fabric is a high quality 100% recycled content fabric, made in America. Recycled fabric options will vary depending on graphic application.

### ECO-Glass

ECO-Glass is a "green" alternative to standard acrylic or plexiglass and is made from 100% post-industrial recycled content. ECO-Glass can be used for infills, accents and direct print graphic substrate. ECO-Glass can be clear or frosted.

### ECO-Board

ECO-Board is a white printable and completely biodegradable polystyrene material. It offers a 2-sided printable surface which makes it an eco-friendly alternative to Sintra (made from PVC), and can biodegrade in a landfill in as little as 9 months. ECO-Board comes in 2 different thicknesses - 1/16" & 1/8."